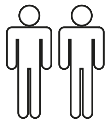
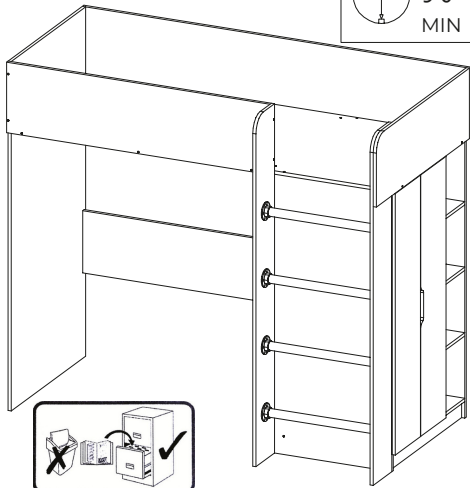


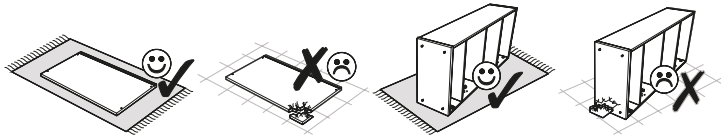
# BED ROOM 3



90  
MIN



Z		x1		
B1		x61	B03	
D0		x46	D1	
D1		x2	G1A	
F1		x10	G1B	
			T1	
			T2	

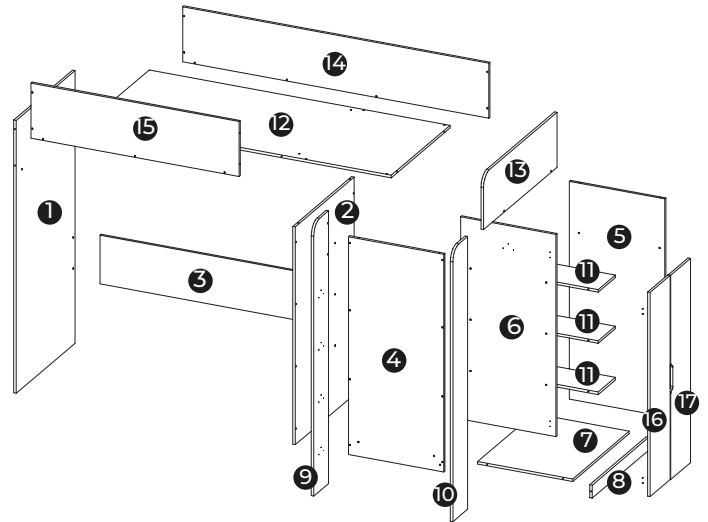


1

# BED ROOM 3

1	1685 x 800	1
2	1350 x 800	1
3	1284 x 300	1
4	1350 x 600	1
5	1350 x 600	1
6	1254 x 600	1
7	768 x 600	1
8	768 x 80	1

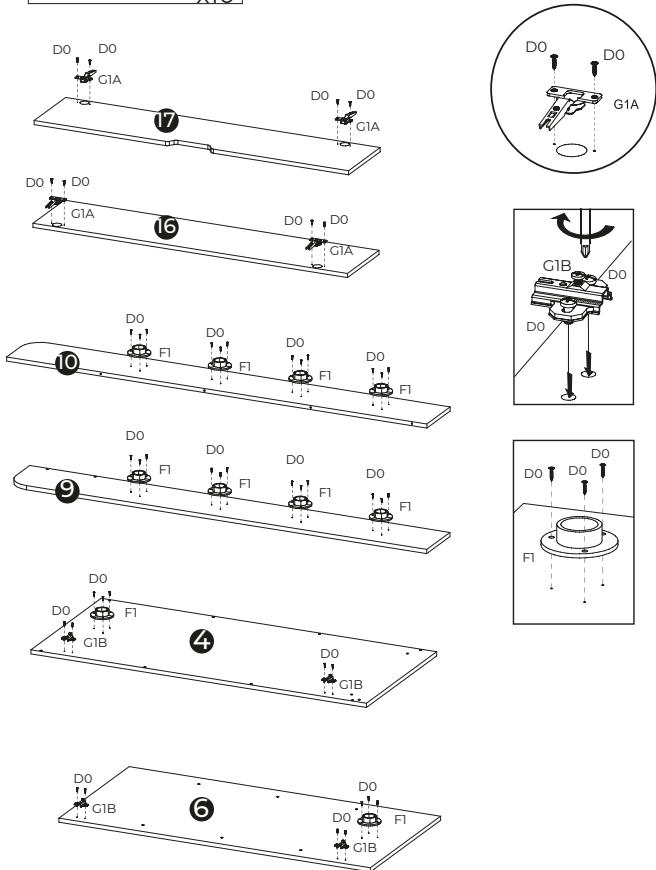
9	1685 x 200	1
10	1686 x 200	1
11	600 x 234	3
12	1900 x 800	1
13	1000 x 340	1
14	1940 x 340	1
15	1320 x 340	1
16	1265 x 272	1
17	1265 x 272	1



2

1

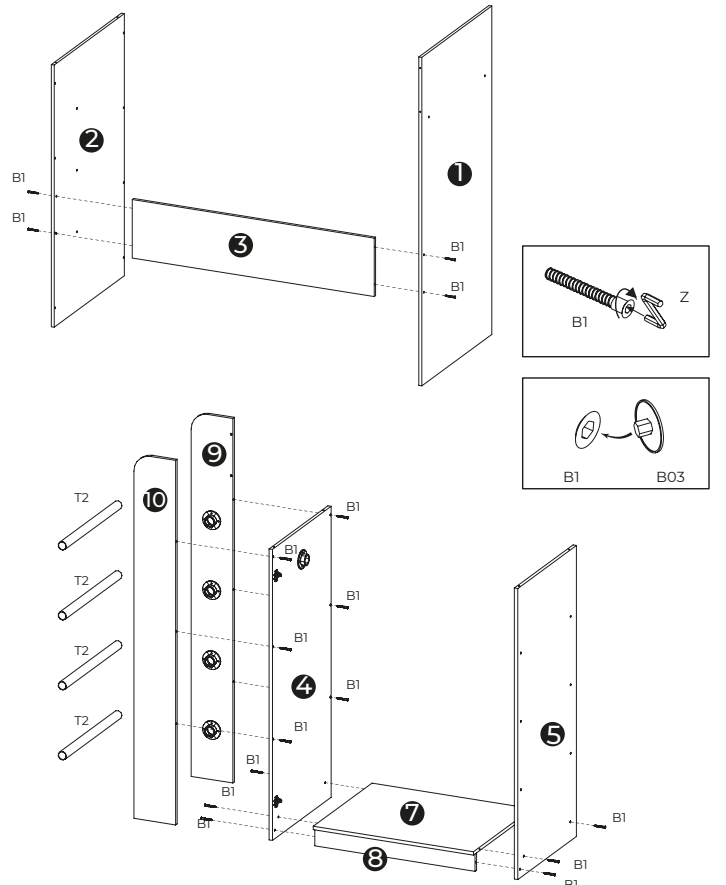
D0		3 x 15 mm	x46	G1A		x4	G1B		x4
F1		MB	x10						



3

2

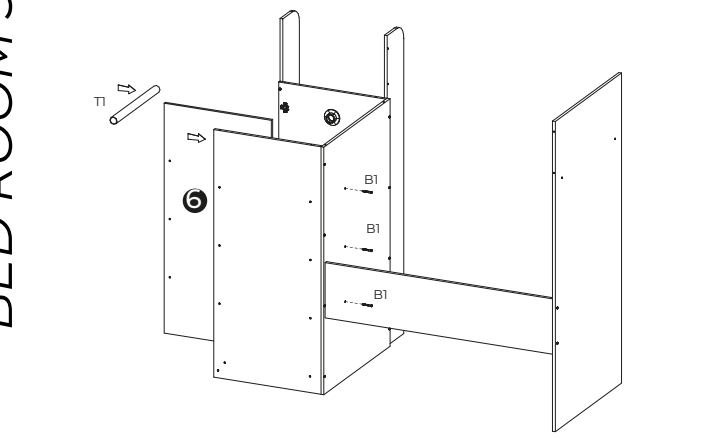
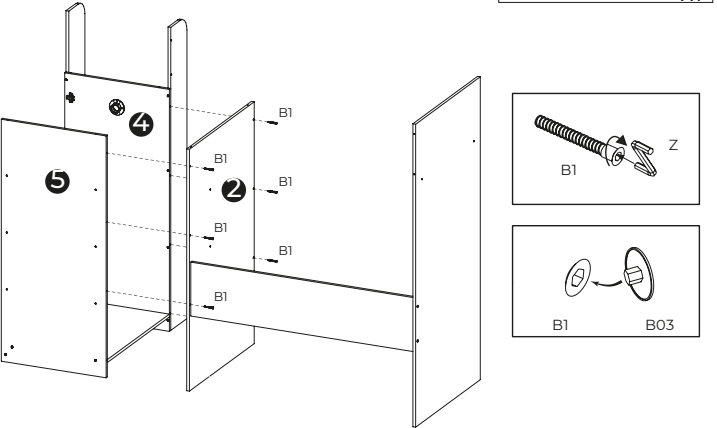
B03		x16	B1		x16	T2		560mm	x4
			Z						x1



4

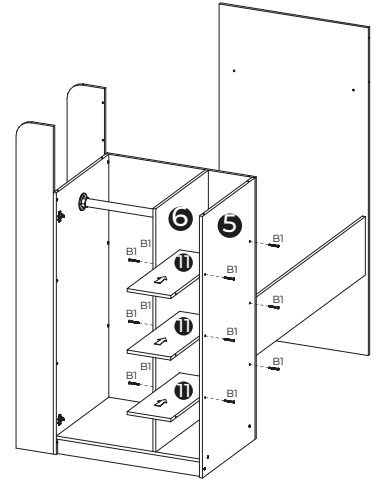
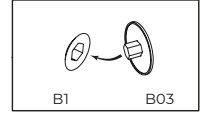
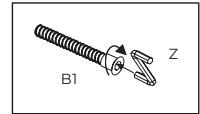
# BED ROOM 3

- B1** x9
- B03** x9
- Π** 515mm x4
- Z** x1

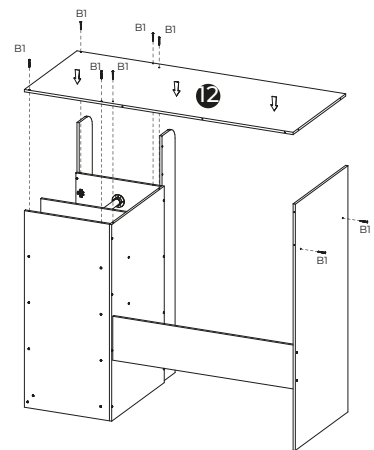


5

- B1** x20
- B03** x20
- Z** x1

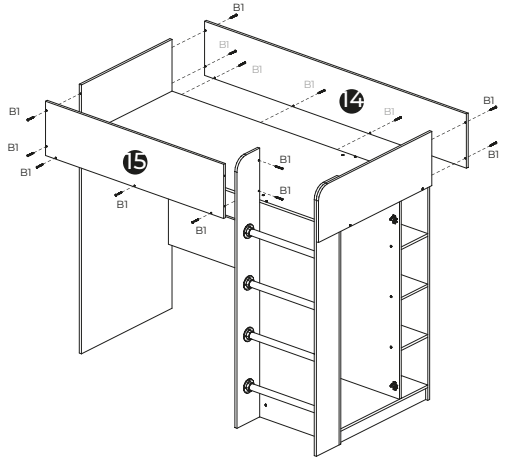
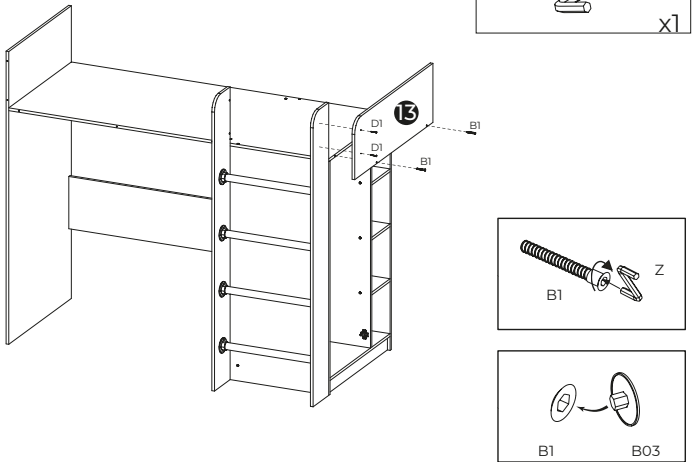


# BED ROOM 3

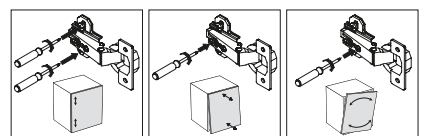
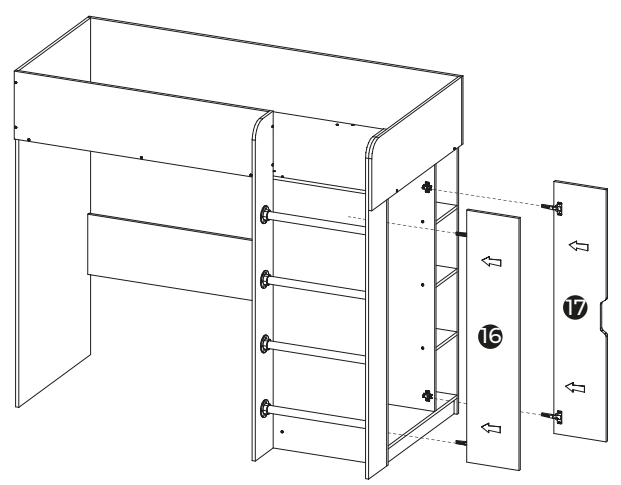
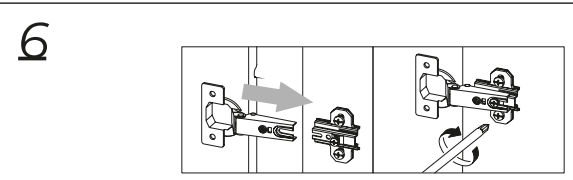


6

- B1** x16
- B03** x16
- D1** 3,5x30 x2
- Z** x1



7



8