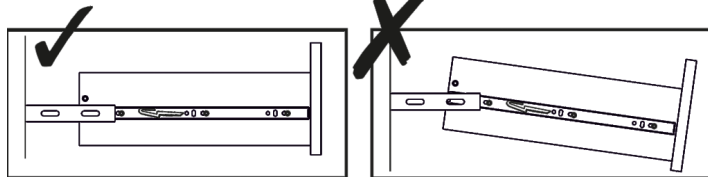
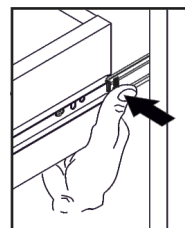
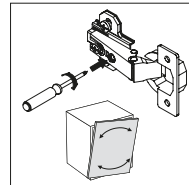
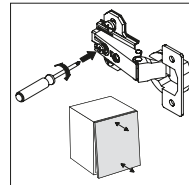
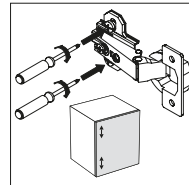
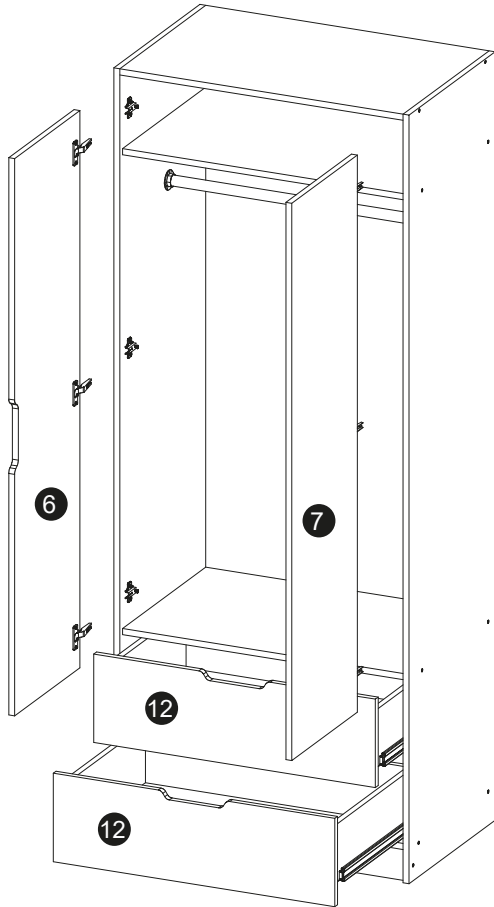
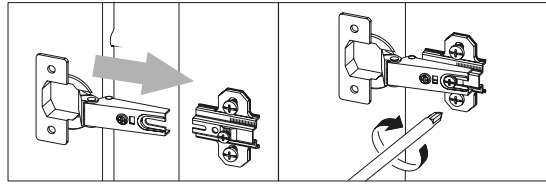
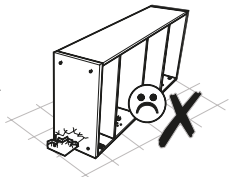
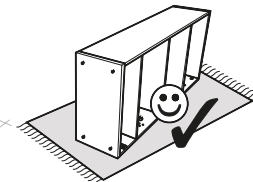
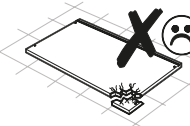
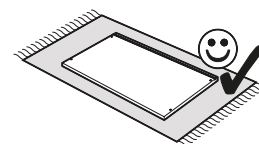
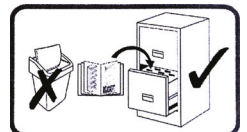
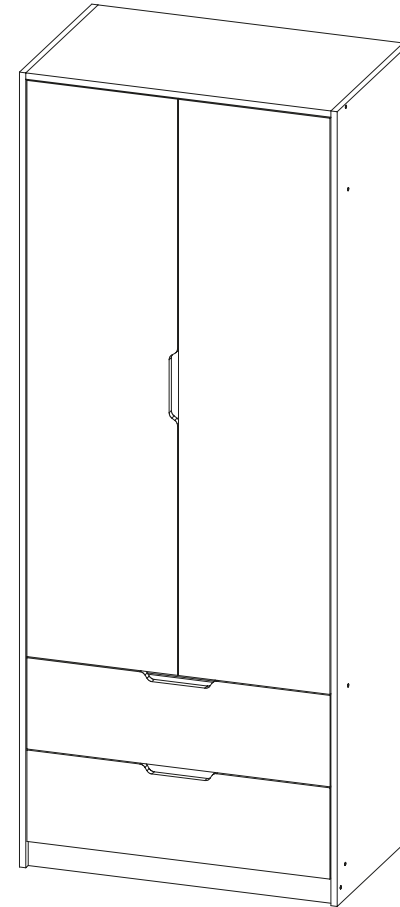
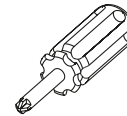
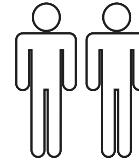







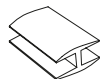
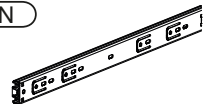
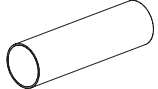
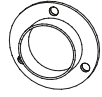
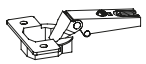
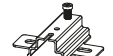

5

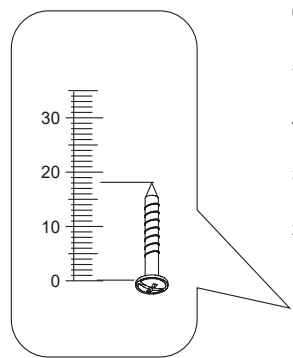
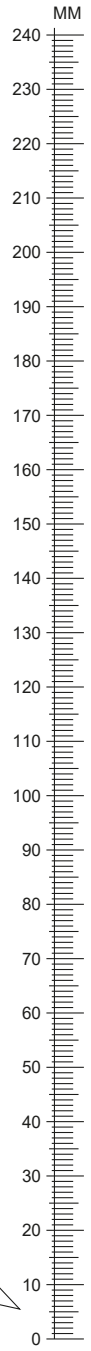


WARDROBE 2D2L



WARDROBE 2D3L

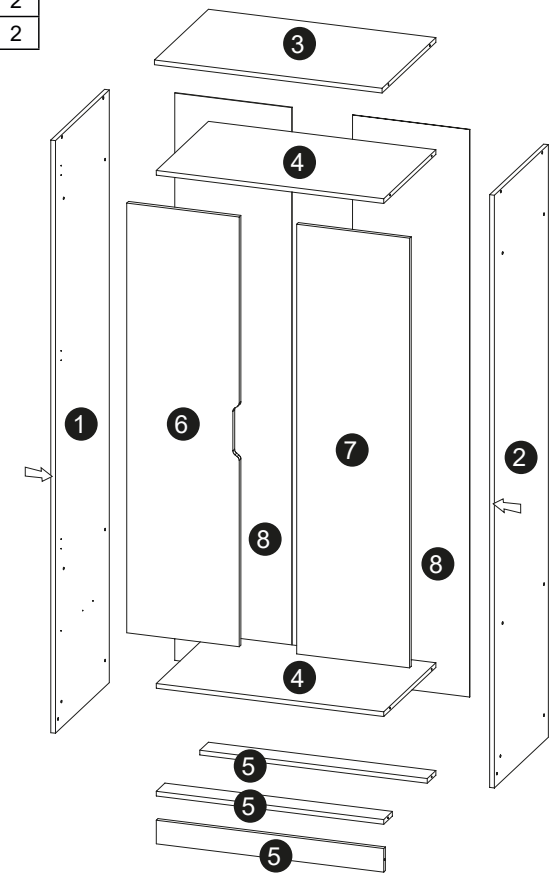
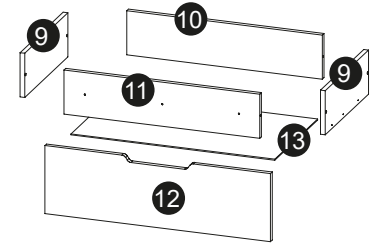
B1  x26	B03  x26	D0  3,0x15 x62
D1  3,5x16 x46	D2  3,5x30 x6	P2  x1
N  L400 x4	T  L768 x1	F  x2
G1A  x6	G1B  x6	Z  x1



WARDROBE 2D3L


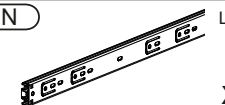
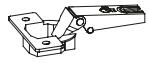
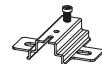

1	2000 x 500	1
2	2000 x 500	1
3	768 x 500	1
4	768 x 482	2
5	768 x 80	3
6	1425 x 378	1
7	1425 x 378	1
8	1920 x 395	2
9	445 x 150	4
10	709 x 150	2
11	709 x 150	2
12	763 x 230	2
13	740 x 440	2

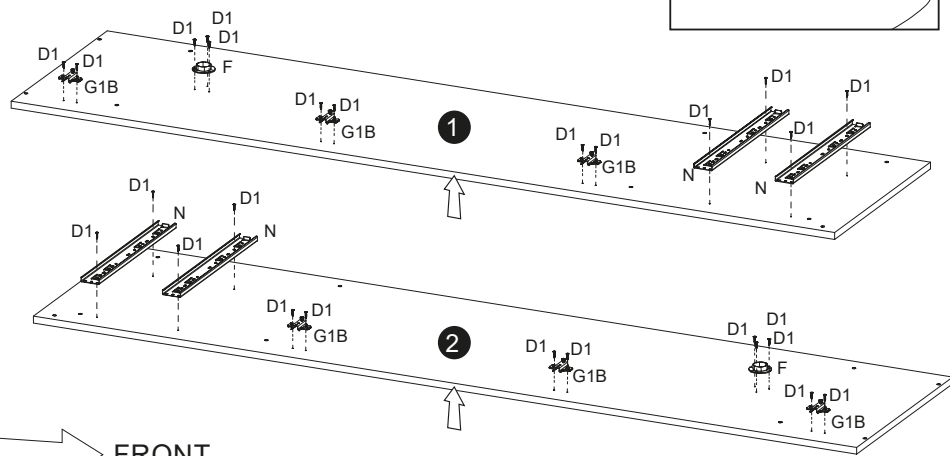
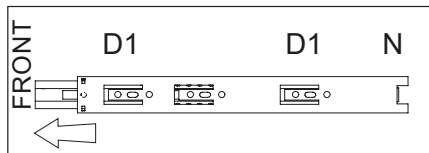
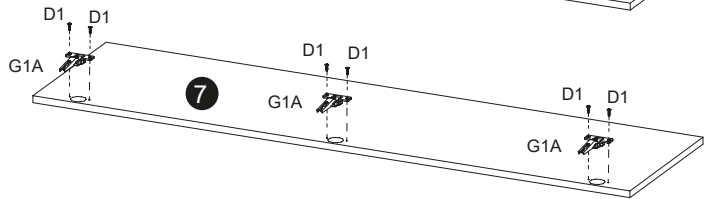
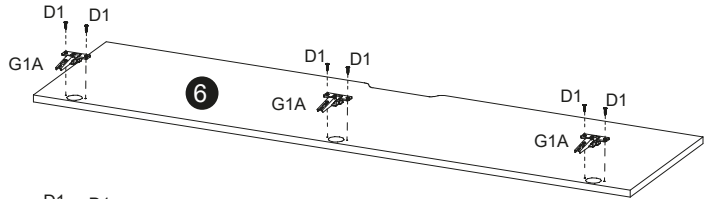
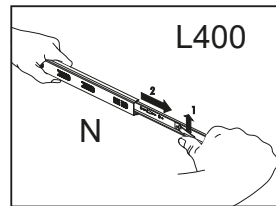
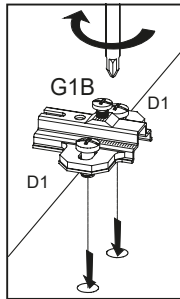
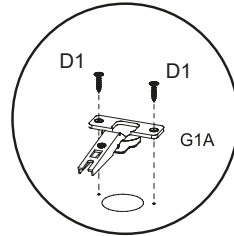
x2



FRONT

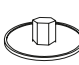

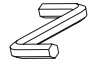

1

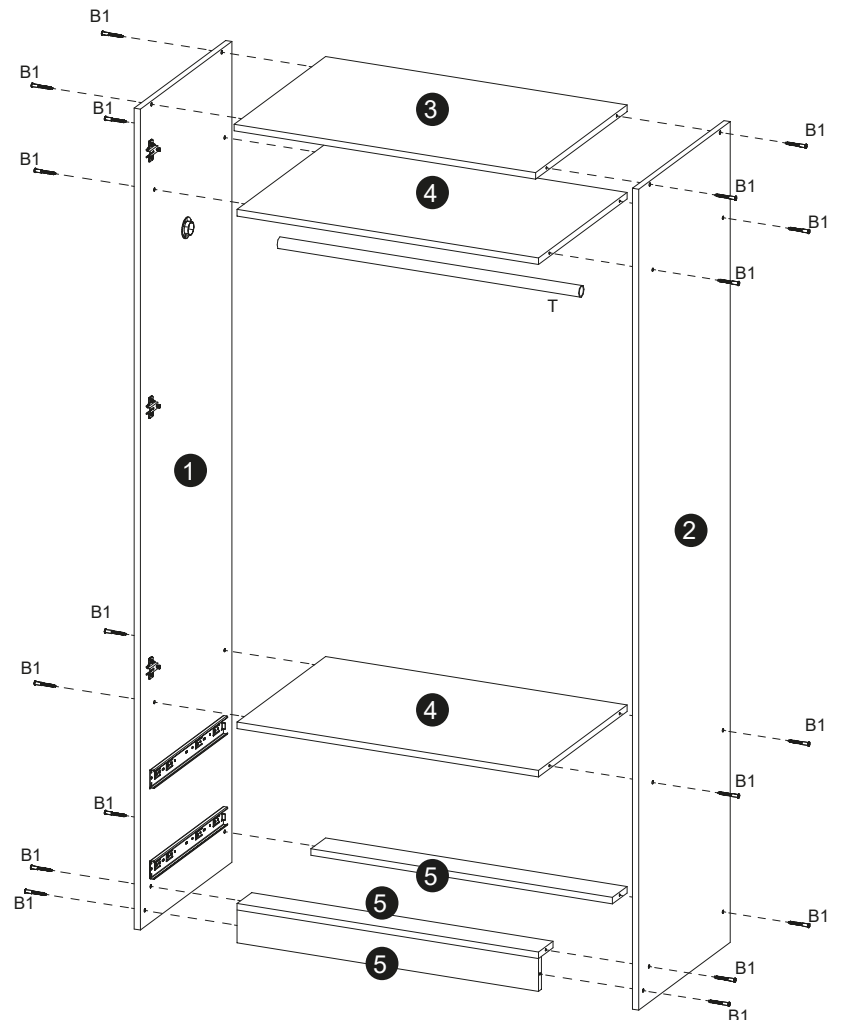
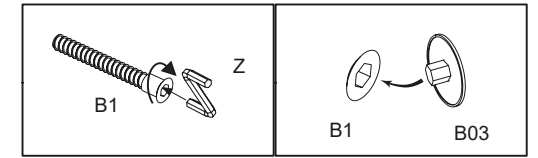
(D1) 3,5x16 	(N) L400 	(G1A) 
x38	x4	x6
(G1B) 	(F) 	
x6	x2	



4


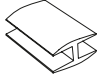
2

(B03) 	(B1) 	(Z) 
x18	x18	x1
(T) L768 		
x1		



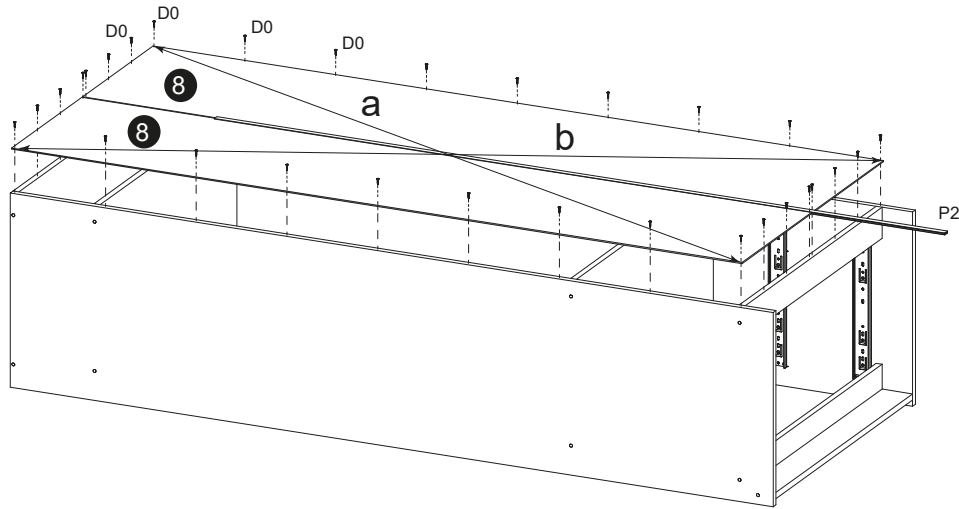
5

3






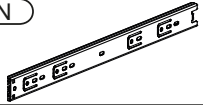

D0	3,0x15	P2	
	x30		x1

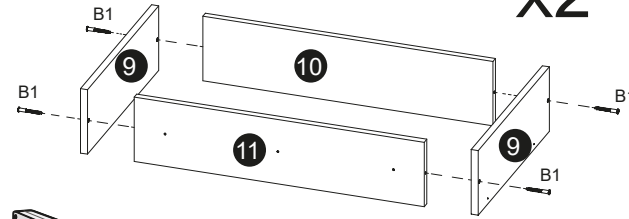


a=b

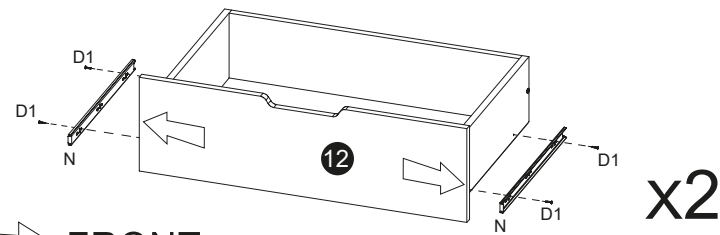
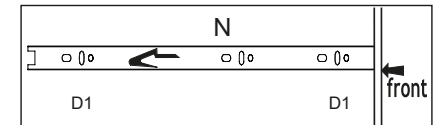
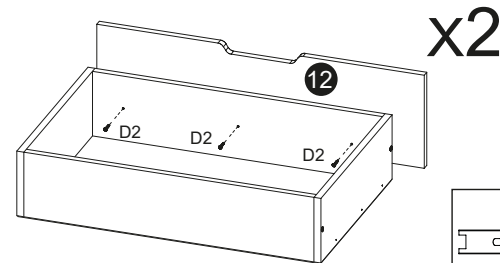
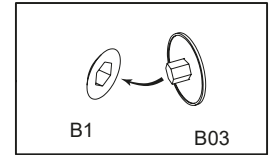
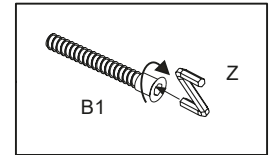
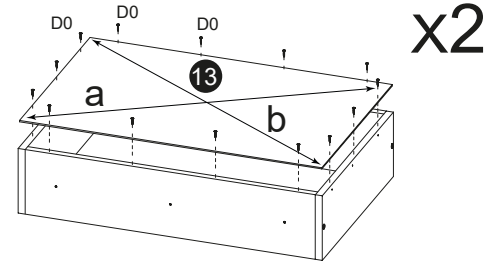


4

B1		B03	D0	3,0x15
	x8			x32
D1	3,5x16	D2	N	L400
	x8			x4
		Z		
				x1



a=b



FRONT