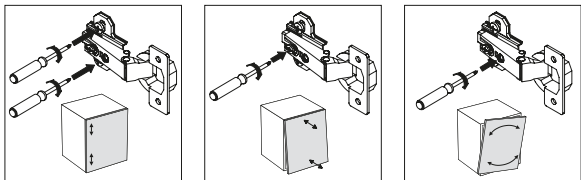
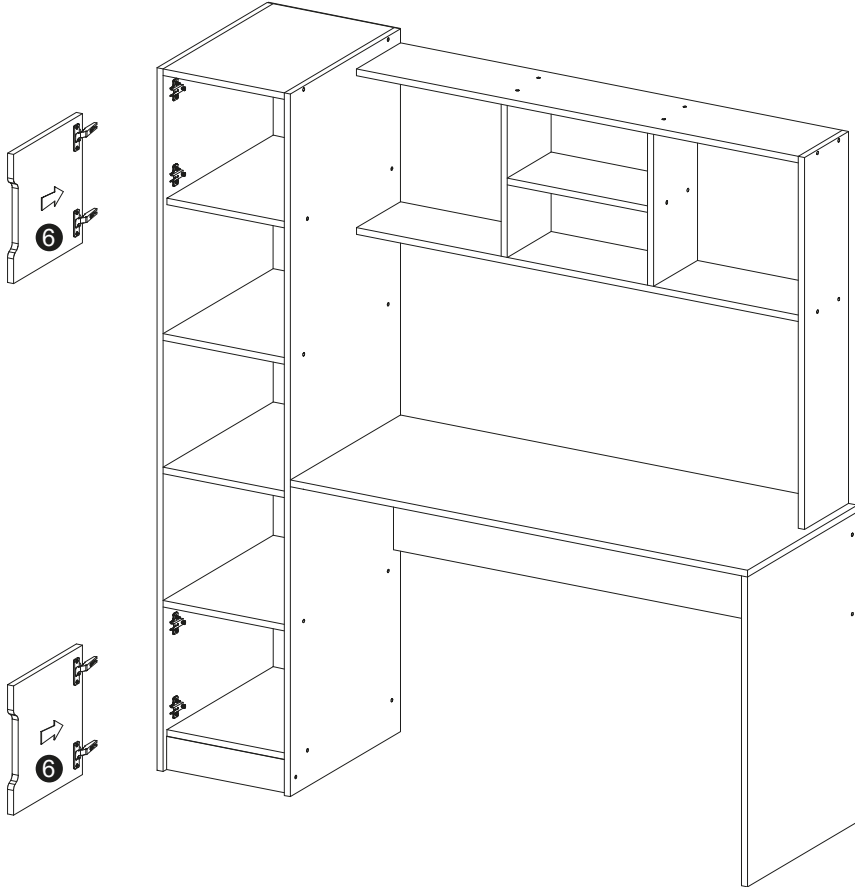
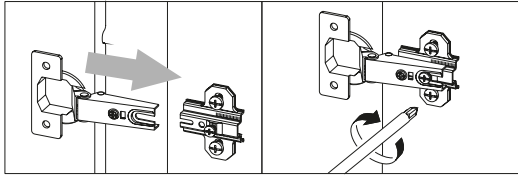
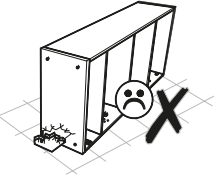
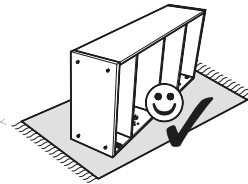
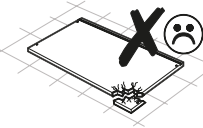
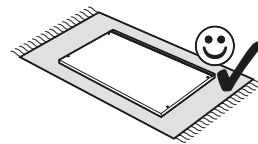
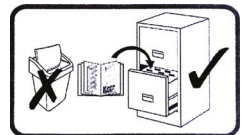
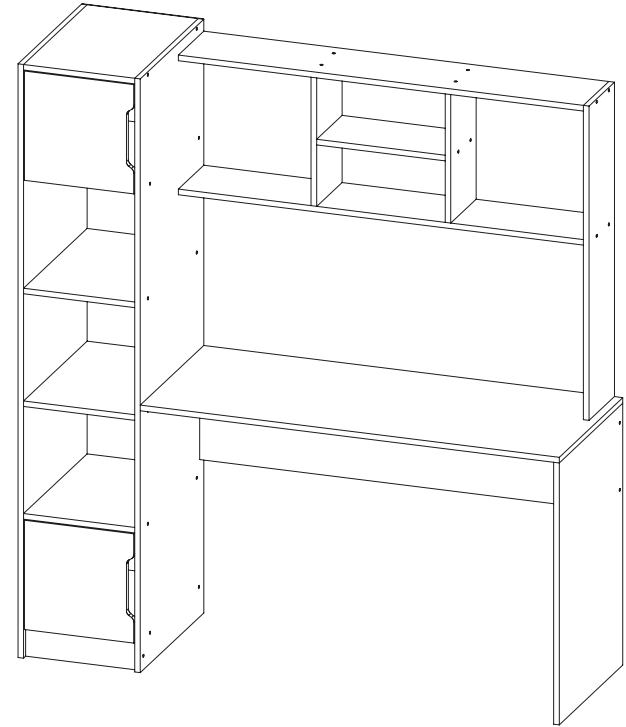
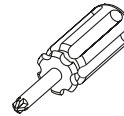
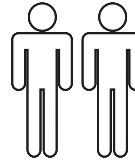






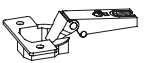
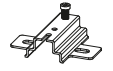
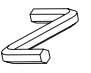
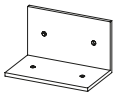
7



DESK SHELF CASE

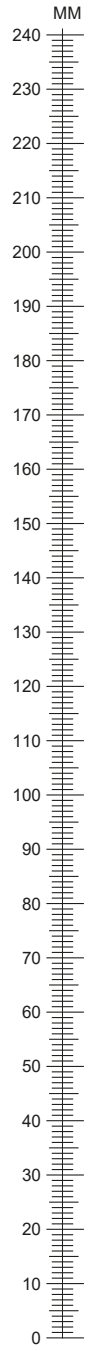
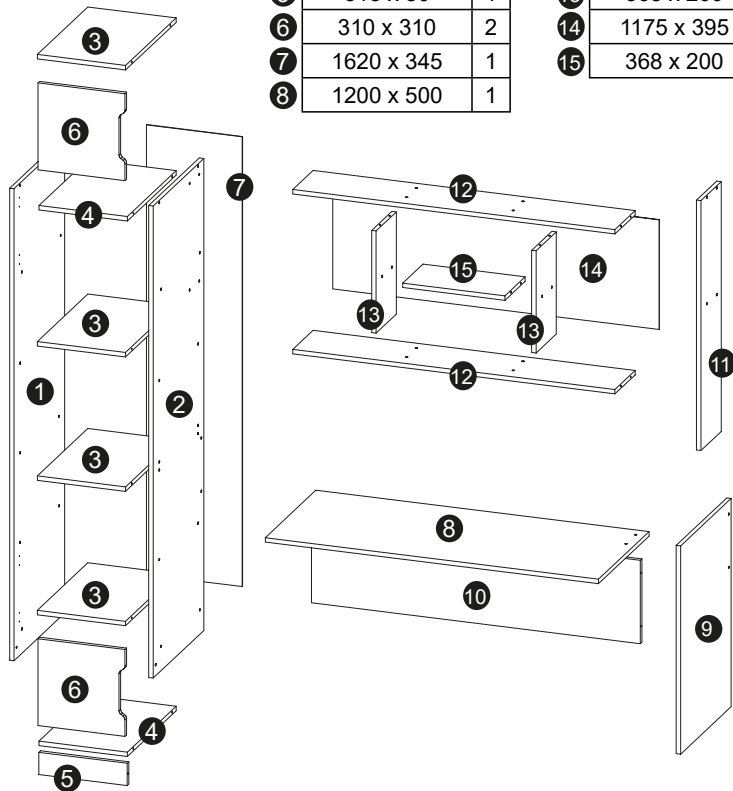


DESK SHELF CASE


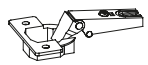
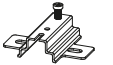
B1  x54	B03  x54	D0  3,0x15 x24
D1  3,5x16 x48	G1A  x4	G1B  x4
Z  x1	K1  x2	

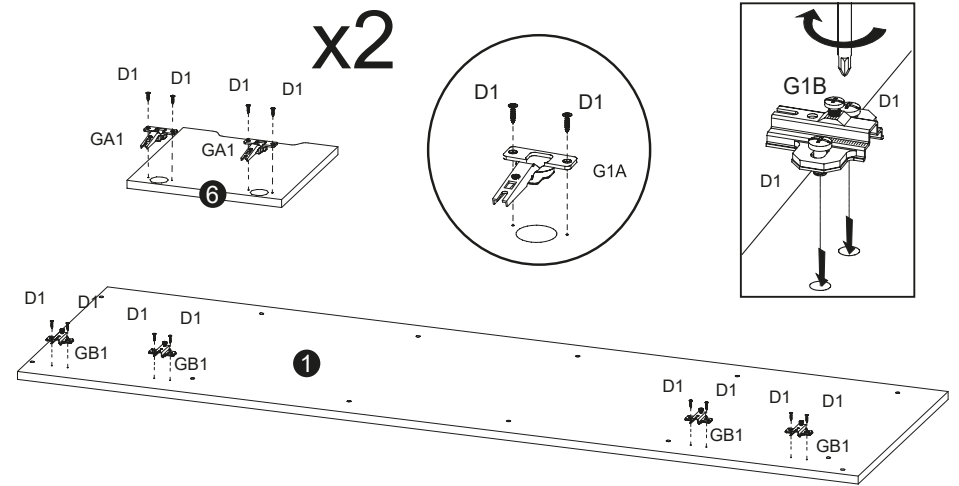
1	1700 x 500	1
2	1700 x 500	1
3	318 x 500	4
4	318 x 483	2
5	318 x 80	1
6	310 x 310	2
7	1620 x 345	1
8	1200 x 500	1

9	750 x 500	1
10	1184 x 300	1
11	900 x 200	1
12	1160 x 200	2
13	368 x 200	2
14	1175 x 395	1
15	368 x 200	1



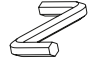


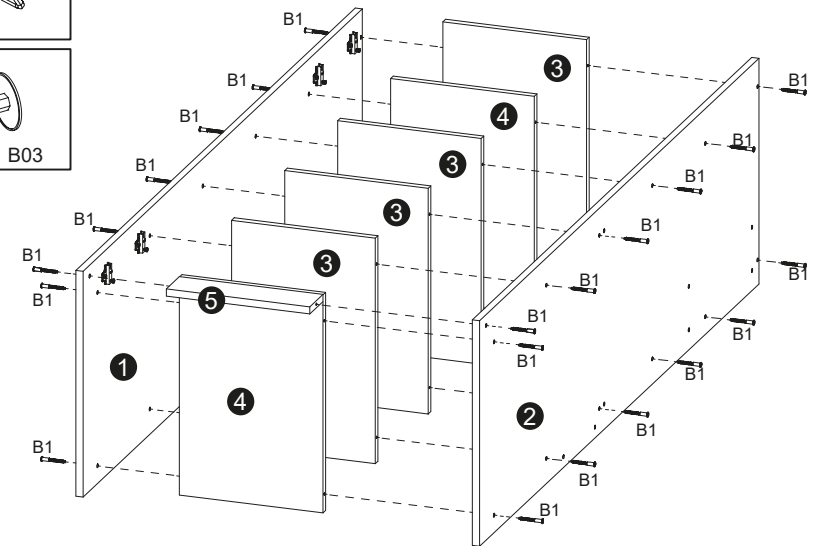
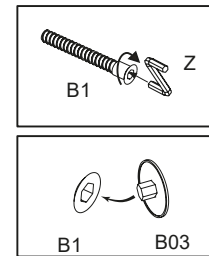
1

D1  3,5x16 x12	G1A  x4	G1B  x4
---	--	--






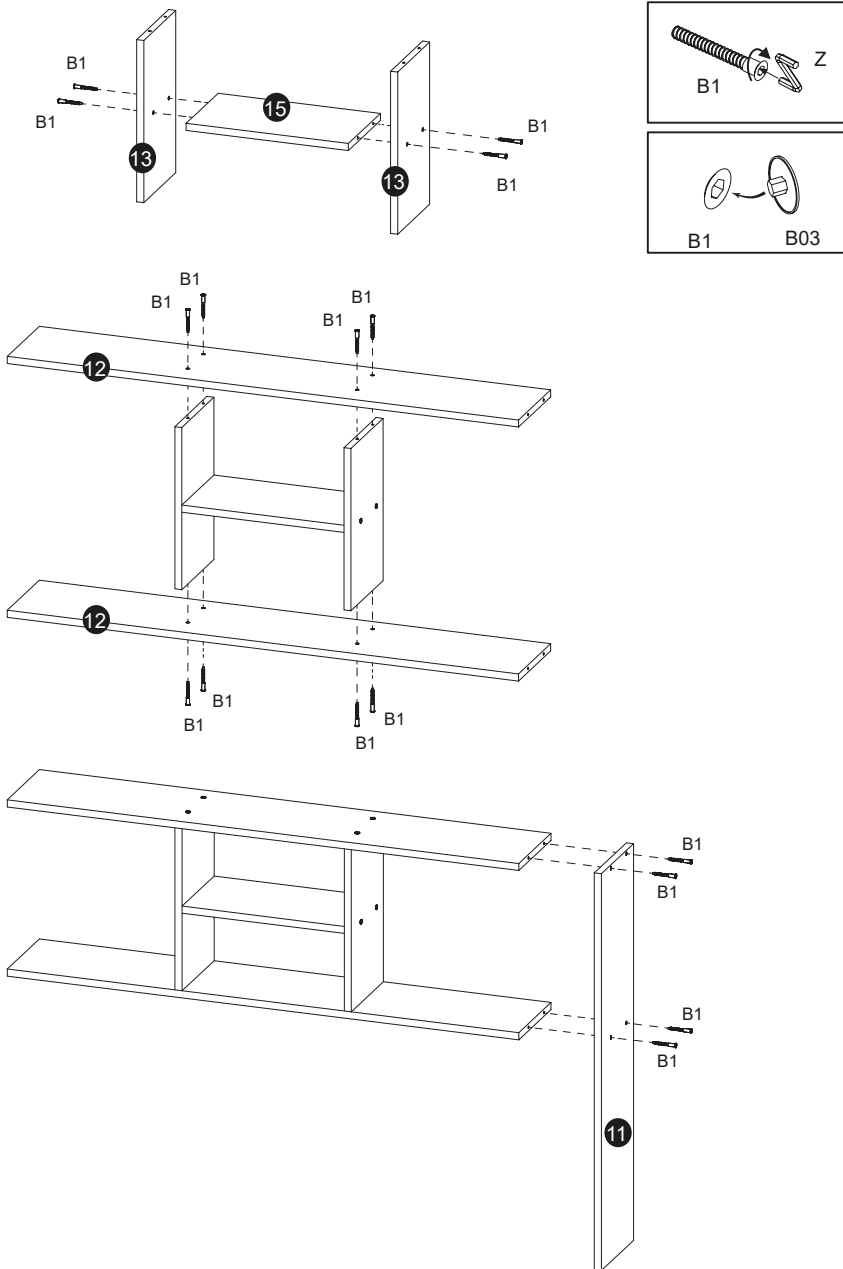
2

B03  x26	B1  x26	Z  x1
--	---	---





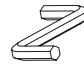
3

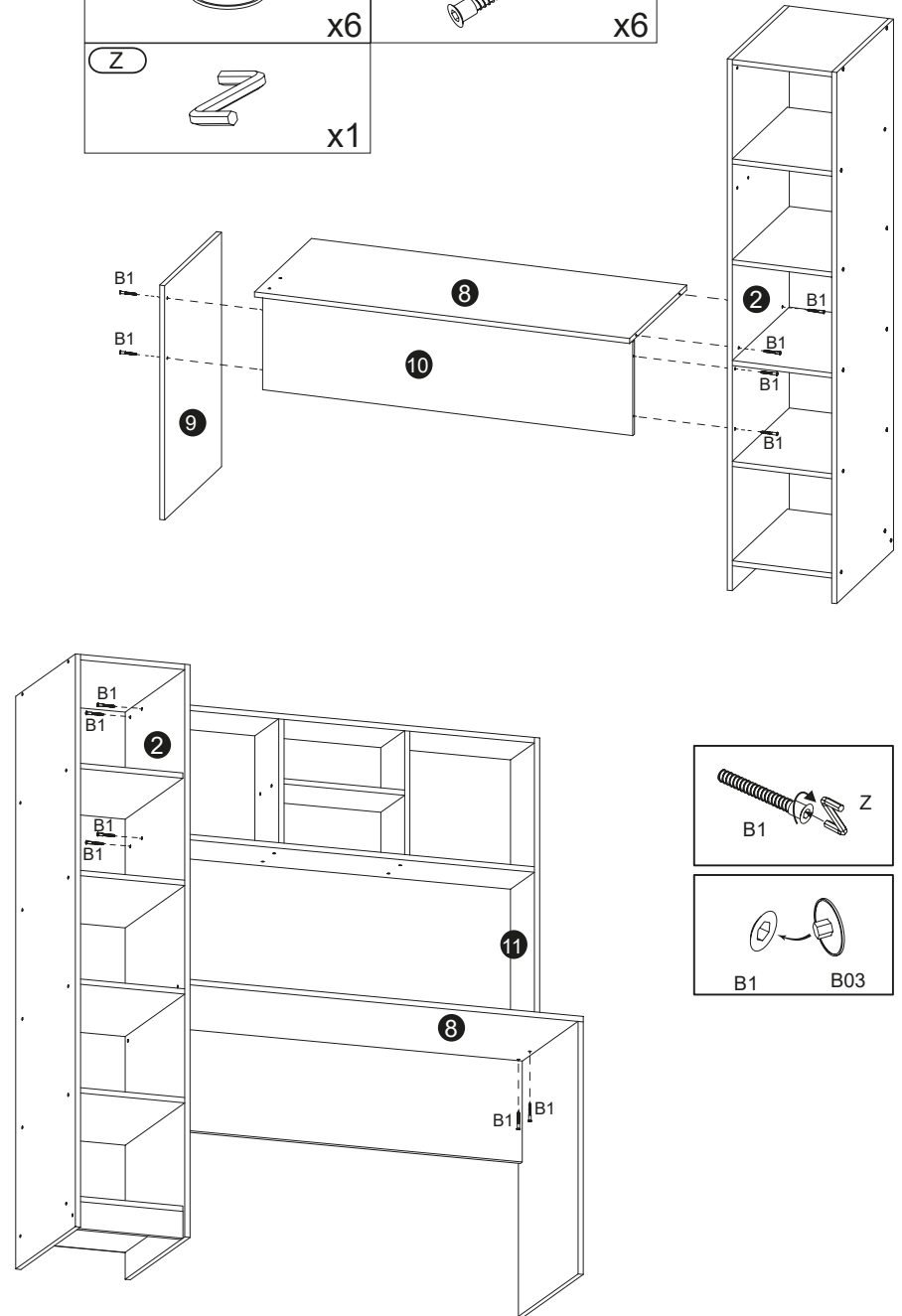
B03		B1		Z	
	x16		x16		x1



4

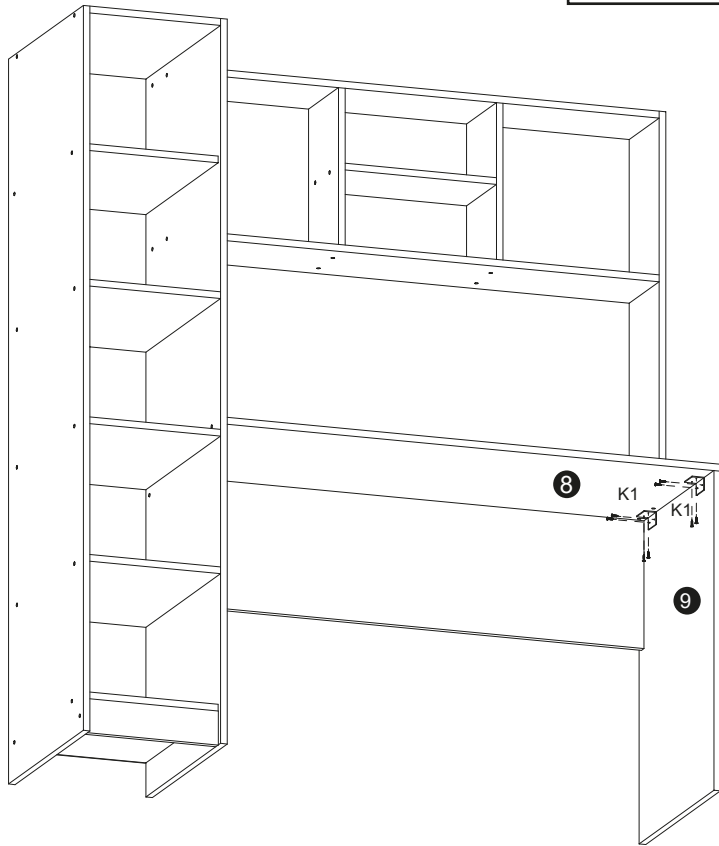
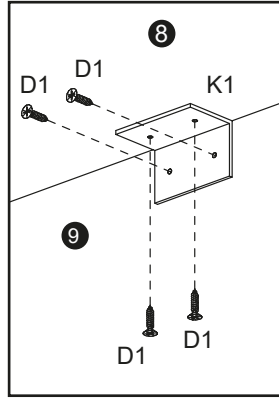
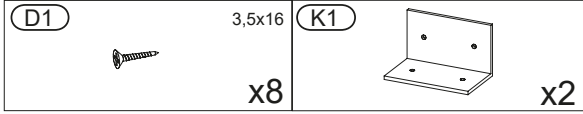
4

B03		B1	
	x6		x6
Z			
	x1		



5

5

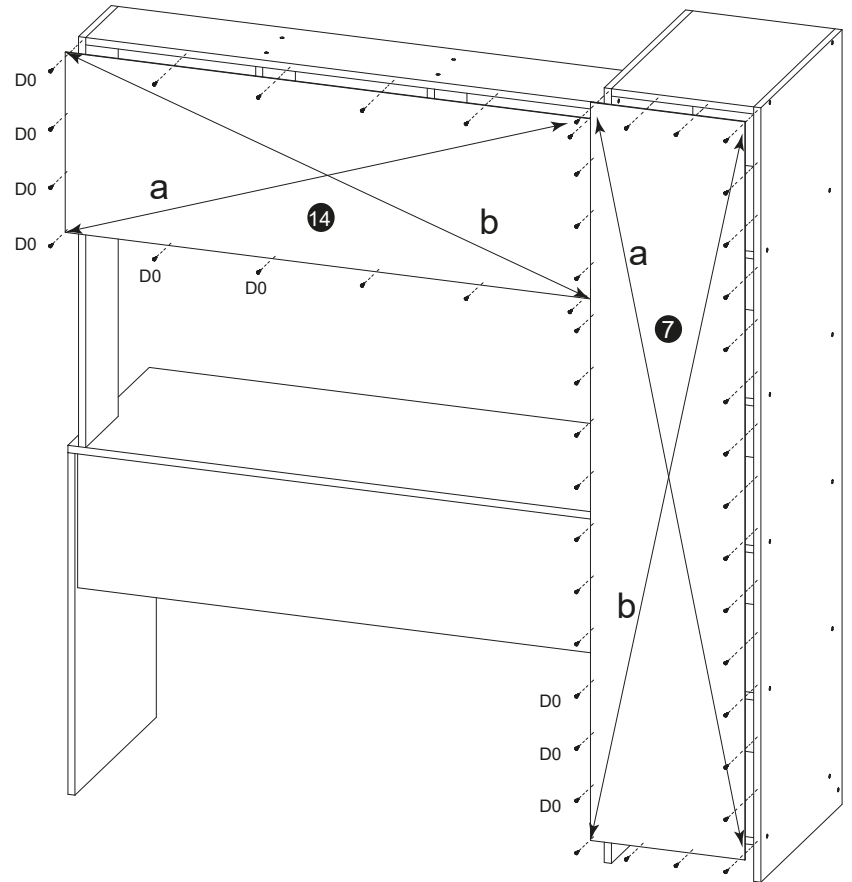


6

6



a=b



7